

FUSO --A Daimler Group Brand



CREW CAB 2014 MODEL YEAR

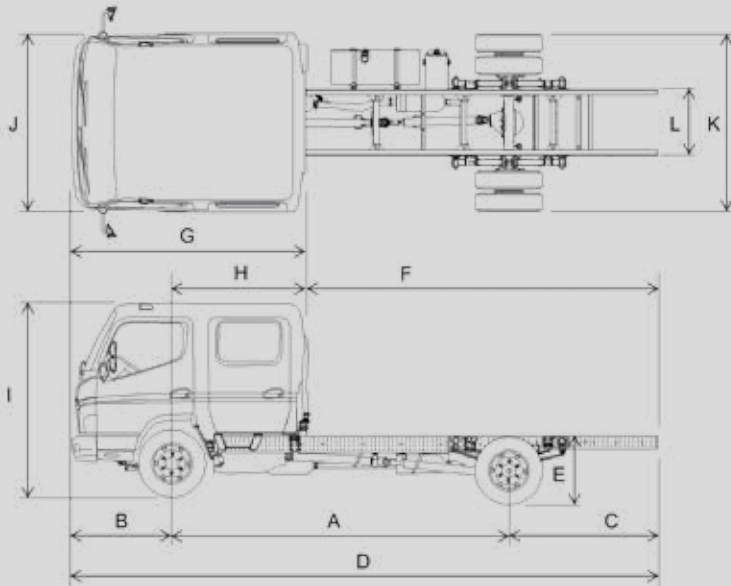
CANTER



Exclusively from Mercedes-Benz

2014 MODEL YEAR

CREW CAB 4x2



DIMENSIONS

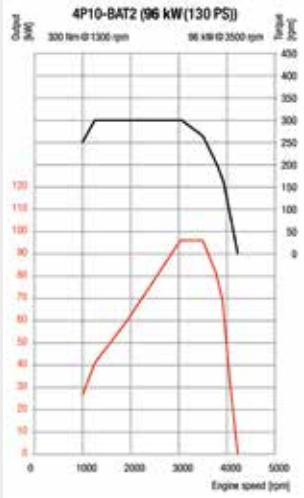
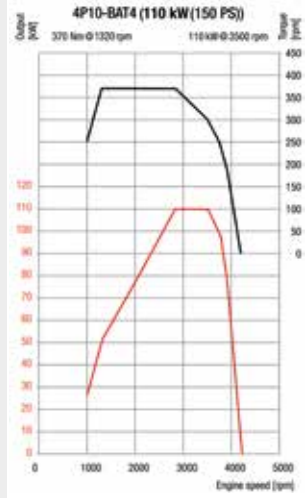
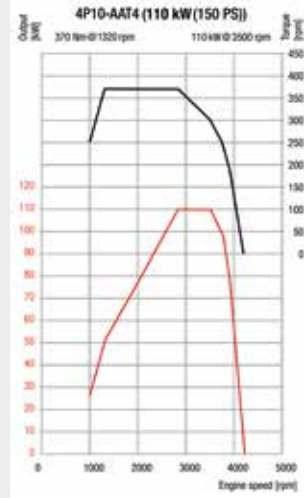
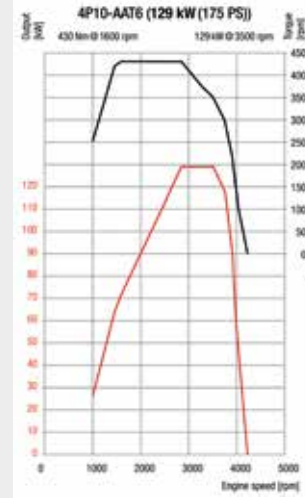
		3C13D	3C15D	7C15D	7C18D
A. Wheelbase	mm	3400	3400	3850	4750
B. Front Overhang	mm	1140	1140	1140	1140
C. Rear Overhang	mm	1395	1395	1695	1845
D. Overall Length	mm	5935	5935	6685	7735
E. Chassis Height (Chassis-Cab unladen)	mm	725	725	790	800
F. Back of Cab to End of Frame	mm	3270	3270	4020	5070
G. Bumper to Back of Cab	mm	2665	2665	2665	2665
H. Front Axle to Back of Cab	mm	1525	1525	1525	1525
I. Overall Height (Chassis-Cab unladen)	mm	2185	2175	2225	2225
J. Cab Width (excluding mirrors)	mm	1995	1995	1995	1995
K. Rear Axle Width (to tyre wall)	mm	1924	1924	2027	2137
L. Frame Width	mm	748	748	752	850
Cab to Body Gap (minimum)	mm	100	100	100	100
Maximum Possible Body Length	mm	3985	3985	4725	6210
Maximum Possible Body Width	mm	2280	2280	2550	2550
Turning Circle (kerb to kerb)	m	11.4	11.4	14.0	16.8
Turning Circle (wall to wall)	m	12.6	12.6	15.2	18.0

WEIGHTS

		3C13D	3C15D	7C15D	7C18D
Chassis-Cab Weight Total	kg	2090	2130	2610	2710
Chassis-Cab Weight Front Axle	kg	1520	1550	1720	1800
Chassis-Cab Weight Rear Axle	kg	570	580	890	910
Front Axle Capacity	kg	1950	1950	3100	3100
Rear Axle Capacity	kg	2500	2500	6000	6000
Maximum Gross Vehicle Weight (GVW)	kg	3500	3500	7500	7500
Maximum Gross Train Weight (GTW)	kg	7000	7000	11000	11000
Body and Payload Allowance	kg	1410	1370	4890	4790

Weights and Dimensions are for guidance only – For Body-Building calculations refer to the Canter Body/Equipment directives available from the FUSO Body-Builder portal
 Manufacturing tolerance for Chassis Height and Overall Height is ± 25 mm
 Manufacturing tolerance for Chassis-Cab weights is $\pm 5\%$
 Chassis-Cab weights include 20 litres of fuel, 12 litres of AdBlue® (7C models only) and exclude the driver
 Maximum Possible Body Length dimension is with 65% overhang. Rear overhang must be extended to achieve this. Front Axle loading must be a minimum of 25% of GVW
 Maximum Possible Body Width dimension is valid only with mirrors set to the 'outside set' position

ENGINES

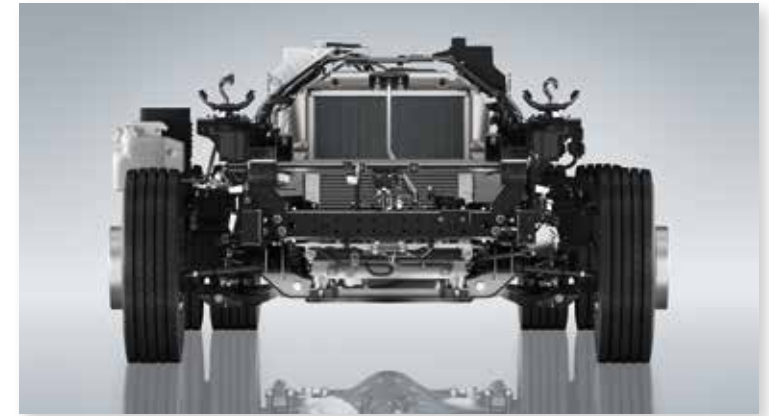
		3C13D	3C15D	7C15D	7C18D
		4P10-BAT2	4P10-BAT4	4P10-AAT4	4P10-AAT6
Engine Power / Torque Curves					
Max. Power output (EEC)	kW	96	110	110	129
	PS	130	150	150	175
	rpm	3500	3500	3500	3500
Peak Torque (EEC)	Nm	300	370	370	430
	rpm	1300	1320	1320	1600
CO₂ (combined)	g/km	231	242	n/a	n/a
Fuel Consumption (combined)	l/100km (mpg)	8.8	9.2	n/a	n/a
		(32.1)	(30.7)		
Emissions Level		Euro 5b+ (light-duty)		Euro VI (heavy-duty)	
Emissions Treatment		EGR + DPF		EGR + DPF + SCR (BlueTec)	
NOx reduction agent		n/a		AdBlue® (to ISO 22241 standard)	
Type		4 Cylinder, Diesel, 4-stroke, 16-valve, DOHC, VGT Turbo, Intercooled, Common-rail direct-injection			
Displacement		2998 cm ³			
Air Intake Type		High cab mounted intake, paper element type, restriction indicator			
Fuel Type		Diesel (to EN 590 standard)			
Idle start/stop system (ISS)		Standard on all models. Over-ride switch in cab			
Alternator		AC 12V 140 Amp			

TRANSMISSION, AXLES, WHEELS AND TYRES

		3C13D					3C15D						7C15D					7C18D							
Clutch Designation		Dry, single plate C3W28					Maintenance Free, Automated Dual Clutch, Wet type – multi disc without torque loss						Dry, single plate C4W30					Maintenance Free, Automated Dual Clutch, Wet type – multi disc without torque loss							
Gearbox Designation		M038S5					M038S6 (DUONIC® AMT)						M038S5					M038S6 (DUONIC® AMT)							
Gearbox Description (PTO)		Manual, 5-speed forward and 1 reverse					Dual Clutch 6-speed, Automated with ECO mode, Creep, Park and Manual functions						Manual, 5-speed forward and 1 reverse					Dual Clutch 6-speed, Automated with ECO mode, Creep, Park and Manual functions (with NQ7 PTO and VA6 engine speed controller as standard)							
Gear Ratios		1/R	2	3	4	5	1/R	2	3	4	5	6	1/R	2	3	4	5	1/R	2	3	4	5	6		
Gear Ratios		5.495	3.193	1.689	1.000	0.723	5.397	3.788	2.310	1.474	1.000	0.701	5.495	3.193	1.689	1.000	0.723	5.397	3.788	2.310	1.474	1.000	0.701		
Rear Axle Ratio		4.111					3.909						4.875					4.875							
Wheel/Tyre Arrangement		Front Axle: Single, Rear Axle: Dual																							
Wheels		16 x 5 JK - 110					16 x 5 JK - 110						17.5 x 6.00 - 127 - 6 stud					17.5 x 6.00 - 127 - 6 stud							
Tyres		195 / 75 R 16 107 / 105 R					195 / 75 R 16 107 / 105 R						205 / 75 R 17.5 124 / 122 M					205 / 75 R 17.5 124 / 122 M							
Maximum speed - limited	km/h (mph)	n/a					n/a						90 (56)					90 (56)							
Maximum speed - unlimited	km/h (mph)	132 (82)					139 (86)						130 (81)					130 (81)							
Maximum gradeability @GVW	% (theoretical)	60					56						30					29.5							

CHASSIS

		3C13D	3C15D	7C15D	7C18D
Wheelbase	mm	3400	3400	3850	4750
Frame Section	mm	188 x 60 x 4 Rear : 148 x 60 x 4 Yield Strength: 390 MPa		192 x 60 x 6 Rear: 152 x 60 x 6 Yield Strength: 305 MPa	212 x 65 x 6 Yield Strength: 305 MPa
Tank capacity Diesel / AdBlue®	litres	70 / n/a		100 / 12	
Body-Builder interfaces	Mounting Brackets Fitted as standard – For positions, see chassis drawings on the FUSO Body-Builder Portal 12V Body Builder electrical interface: 1 in cab and 1 rear of cab. For PTO see section: Transmission, Axles, Wheels and Tyres				
Electrical System / Batteries	12 Volt / 1 x 12 Volt (100AH-760A(EN))			12 Volt / 2 x 12 Volt (100AH-760A(EN)) connected in parallel	
Trailer Electrics	13 Pin (12V) connector – pre-installed at rear of chassis				
Reverse Warning Buzzer	Standard fit without isolation switch (isolation switch can be added by Dealer)				



SUSPENSION, STEERING AND BRAKES

		3C13D	3C15D	7C15D	7C18D
Suspension Front	Coil spring with double acting shock absorbers			Semi-elliptic laminated leaf springs with double acting shock absorbers and stabiliser bar	
Suspension Rear	Semi-elliptic laminated leaf spring with shock absorbers and stabiliser				
Steering	Power steering with rack and pinion gear, tilt and telescopic column with steering lock			Power steering with recirculating ball and nut, tilt and telescopic column with steering lock	
Braking System	Service	Hydraulic, vacuum assisted, 2 circuit, ventilated disc brakes (Ø266mm) with additional features: ESP (Electronic Stability Program) ABS (Anti-Lock Braking System) EBD (Electronic Brake-force Distribution) ASR (Anti Spin regulator) HBA (Hydraulic Brake Assist) HBB (Hydraulic Brake Boost) EDTR (Engine Drag Torque Reduction) Accelerator pedal over-ride			Hydraulic, vacuum assisted, 2 circuit, ventilated disc brakes (Ø310mm) with additional features: ABS (Anti-Lock Braking System) EBD (Electronic Brake-force Distribution) Accelerator pedal over-ride
	Parking	Mechanical, internal expanding type mounted on the rear end of the transmission case			
	Retarder	Electronically governed exhaust brake – up to 50kW braking power			



CAB FEATURES



EXTERIOR

- High strength steel welded cab
- Cab structure reinforced to meet the FUSO RISE (Realised Impact Safety Evolution) requirements
- Internal strength reinforcement beams built into doors
- Wide opening doors with deep side windows for enhanced lateral visibility
- Cathodic dip painted cab structure
- Cab entry / step illumination lamps built into front door panels
- Heated foldable multi-adjusting rear-view mirrors
- Single rear facing window in back wall of cab
- Extensive range of colours including Metallic and Pearl options
- 3 piece front bumper

INTERIOR

- Walk-through access
- Access panels for maintenance
- 6 seat cab (driver + 1 front passenger + 4 rear passengers) on 3C13D and 3C15D
- 7 seat cab (driver + 2 front passengers + 4 rear passengers) on 7C15D and 7C18D
- Driver's suspension seat with adjustable springing rate, lumbar support and arm rest (except 3C13D)
- Isringhausen cloth seats (leather sides) with headrests
- Split folding front passenger seat with access to clipboard and document tray
- Flame resistant interior materials
- 3-point seat belt on driver's seat and all outboard passenger seats, lap belts for all centre passengers
- Adjustable steering wheel (reach and rake)
- Grab handles front and rear compartment
- Vinyl floor covering
- Overhead storage shelves
- Locking glove box
- Storage area between front seats
- Storage under rear seats
- Electric driver's side and front passenger side windows. Manual windows in rear compartment
- Retractable twin cup holders
- 12V power socket
- Central courtesy light
- Tinted glass

SECURITY

- Engine Immobiliser
- Keyless remote central locking on all doors

INSTRUMENTS AND CONTROLS

- Multi-function electronic display screen (fuel consumption, trip, DPF status, time, gear indicator, odometer, maintenance info)
- Speedo in mph (and km/h)
- Fuel gauge
- AdBlue® gauge (7C models only)
- Rev counter with economy band
- ECO mode switch on 3C15D and 7C18D
- Manual DPF regeneration switch
- Heater mirror switch
- Fog lamp switch
- Idle start/stop (ISS) disable switch
- Electric window switches in door panels
- Wipers and exhaust brake control stalk
- Lighting and indicator control stalk
- Rotary heater controls
- Steering wheel mounted horn switch
- Interior lamp switch on head lining
- Digital tachograph 2 man (7C15D and 7C18D only)
- ESP/ASR disable switch (3C13D and 3C15D only)

OPTIONAL EQUIPMENT

- Long door mirror stays (for body width over 2280mm up to maximum 2550mm) (standard on 7C models, option only for 3C models)
- Limited slip differential
- Heavy Duty 12V Batteries (2 x 12V) (standard on 7C models, option only for 3C models)
- Airbag driver's seat
- Airbag driver and co-driver seat
- Air conditioning
- Electronic Stability Program (ESP) (standard on 3C models, option on 7C models)
- Speed Limiter removed (Emergency vehicles only) (standard on 3C, option only on 7C)
- Comfort driver seat with vertical suspension, lumbar support and arm rest (standard on 3C15D, 7C15D and 7C18D models, option only for 3C13D model)
- Rear Axle Ratio 4.444 (option for 3C13D only)
- Rear Axle Ratio 4.111 (option for 3C15D only)
- Rear Axle Ratio 5.285 (option for 7C18D only)
- Fire extinguisher 2kg (mounted inside cab)
- Spare Wheel/Tyre
- High power PTO (392Nm) with flange (7C only)
- PTO (196Nm) for direct connected ISO pumps (standard on 7C18D, option on others)
- Remote engine speed control for PTO (standard on 7C18D, option on others)
- PTO (196Nm) with flange
- Rear Underrun bar (type approved)
- Rear Underrun with coupling provision (type approved)
- Radio / CD / MP3 + Bluetooth® (Dealer Fit)
- Traction tyres
- Tachograph removed (out-of-scope vehicles only) (option on 7C models, standard for 3C models)
- Tachograph (2 man, activated) (standard on 7C models, option only for 3C models)
- Dropside Aluminium body – ex-factory ECWVTA (available 2500, 2800 and 3400 wheelbase only)
- 3-way Tipper body (white) – ex-factory ECWVTA (available on 3C13D, 3C15D and 7C15D only)
- 3-way Tipper body (in cab colour) – ex-factory ECWVTA (available on 3C13D, 3C15D and 7C15D only)
- Selection of cab colours – ex-factory

WARRANTY AND MAINTENANCE

Standard Warranty	3 years / unlimited mileage
Standard Maintenance Intervals	40,000km / 1 year



SYSTEM	APPROVAL LEVEL
EC Type Approval	2007/46*1230/2012
Noise levels	Reg. 51 - 02
Engine power	Reg. 85 - 00
Emissions	595/2009*64/2012A (7C models) 715/2007*630/2012M (3C models)
Fuel tanks	Reg. 34 - 02
Steering	Reg. 79 - 01
Door latches and hinges	130/2012
Vehicle Access	Reg. 11 - 03
Horn	Reg. 28 - 00
Indirect vision (mirrors)	Reg. 46 - 02
Braking	Reg. 13 - 11
EMC	Reg. 10 - 04
Diesel smoke	Reg. 24 - 03
Anti-theft / immobiliser	Reg. 116 - 00
Seat strength	Reg. 17 - 08
Seat belt anchorages	Reg. 14 - 07
Seat belts / restraints	Reg. 16 - 06

SYSTEM	APPROVAL LEVEL
Head restraints	Reg. 25 - 04
Towing hooks	1005/2010
Id of Controls	Reg. 121 - 00
Cab heating	Reg. 122 - 00
Speedo / reverse gear	Reg. 39 - 00
Plates (statutory)	19/2011*249/2012
Lighting	Reg. 48 - 04
Spray-suppression	109/2011
Safety glazing	Reg. 43 - 00
Tyres	458/2011
Speed limitation devices	Reg. 89 - 00
Front underrun protection	Reg. 93 – 00 (7C models only)
Masses and dimensions	1230/2012
External projections of cabs	Reg. 61 - 00
Cab Strength	Reg. 29 - 02
Rear Underrun bar (Option)	Reg. 58 - 02
Coupling Provision (Option)	Reg. 55 - 01



ALSO AVAILABLE:

CANTER 3.5T DUONIC® / CANTER 7.5T DUONIC® / CANTER 7.5T MANUAL / CANTER 8.55T DUONIC®
/ CANTER 4X4 – 6C18 / CANTER 3.5T MANUAL / CANTER ECO HYBRID

ISSUED BY MERCEDES-BENZ UK LTD,
TONGWELL, MILTON KEYNES, MK15 8BA

TELEPHONE: 0800 055 6050 (OR IF YOUR MOBILE PHONE PROVIDER CHARGES FOR FREEPHONE NUMBERS, 0333 222 0525)
WWW.CANTER.CO.UK

BODY-BUILDER INFORMATION AVAILABLE AT: [HTTP://BB-PORTAL.FUSO-TRUCKS.COM](http://bb-portal.fuso-trucks.com)

THE CONTENTS OF THIS BROCHURE ARE NOT BINDING AND THE RIGHT IS RESERVED TO MAKE MODIFICATIONS WITHOUT NOTICE.
DUONIC® IS A REGISTERED TRADEMARK OF DAIMLER AG



Exclusively from Mercedes-Benz